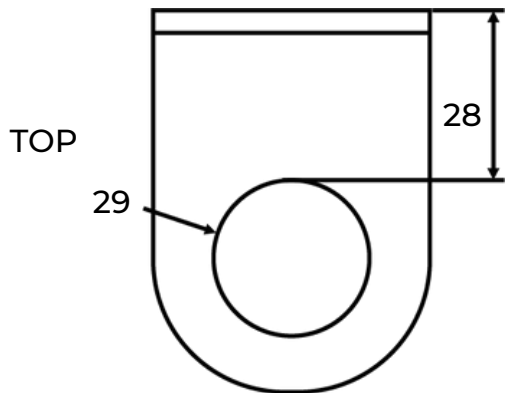


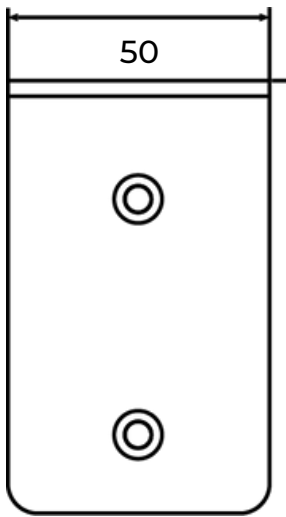
# BOTTLE HOLDER

# SPECIFICATIONS

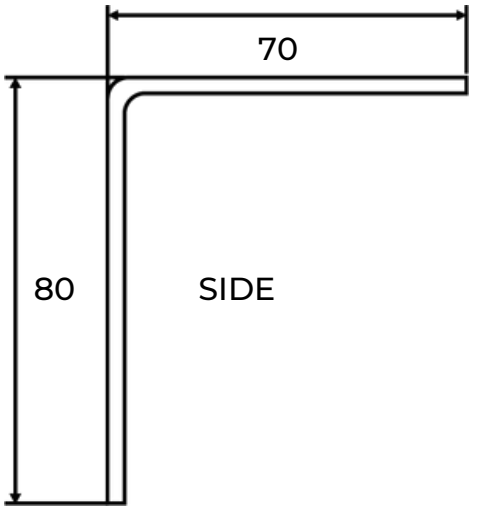


## Available Finishes

BH-BN	BH-BG	BH-C	BH-MB
Brushed Nickel (PVD)	Brushed Gold (PVD)	Chrome	Matte Black



FRONT



SIDE

## INSTALLATION NOTES:

Place bottle holder in intended mounting position and mark screw holes. Screws and wall plugs supplied are for timber or masonry fixings. Use toggle bolts for plaster or cavity walls. (Not provided).

