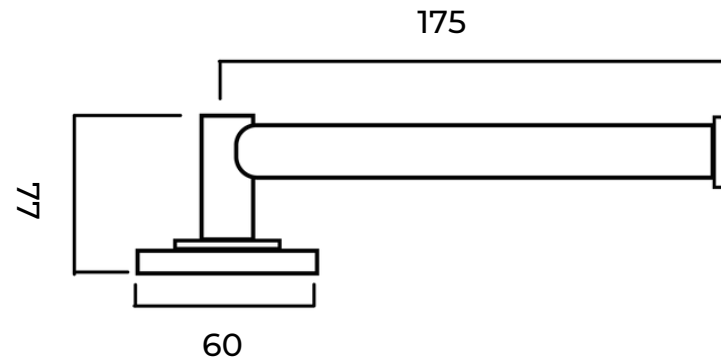
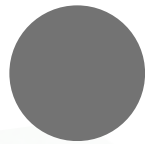


TOILET ROLL HOLDER



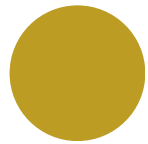
Available Finishes

Brushed Nickel (PVD)



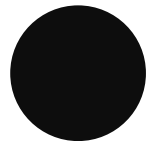
TRH-BN

Brushed Gold (PVD)



TRH-BG

Matte Black

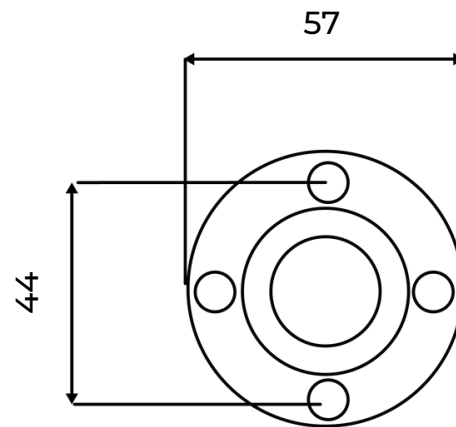


TRH-MB

Chrome



TRH-C



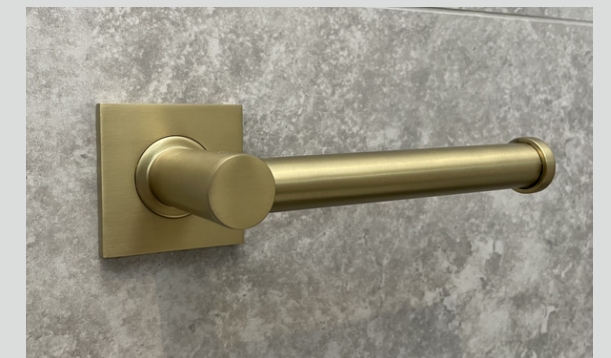
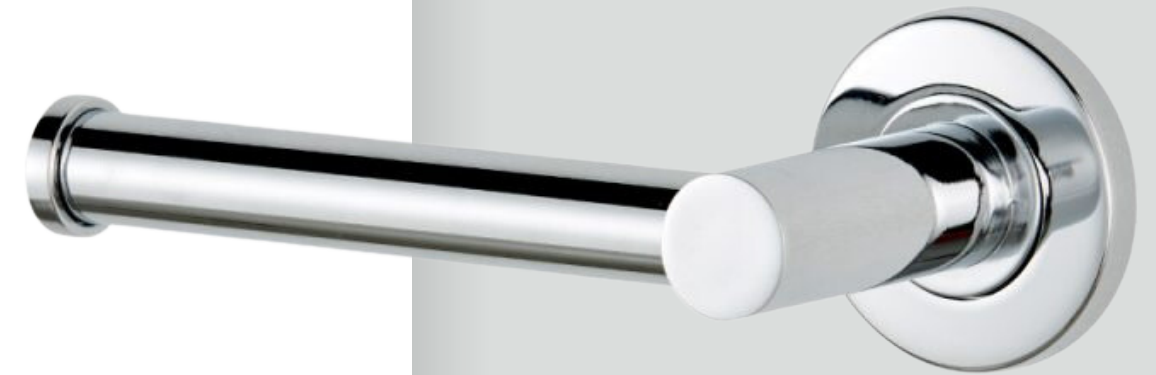
(without cover plate)



SPECIFICATIONS

Fully concealed fixings

Secure 4 point fixing system



INSTALLATION NOTES:

Remove cover plate by twisting and pulling back. Screws & plugs supplied are for timber or masonry fixing. Use toggle bolts for plaster or cavity walls, (Not provided). There are four fixing points but two should be adequate, we recommend always using top and bottom fixing points.