

DOUBLE TOWEL RAIL



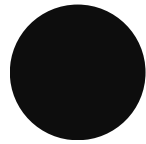
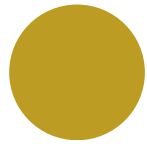
Available Finishes

Brushed Nickel (PVD)

Brushed Gold (PVD)

Matte Black

Chrome

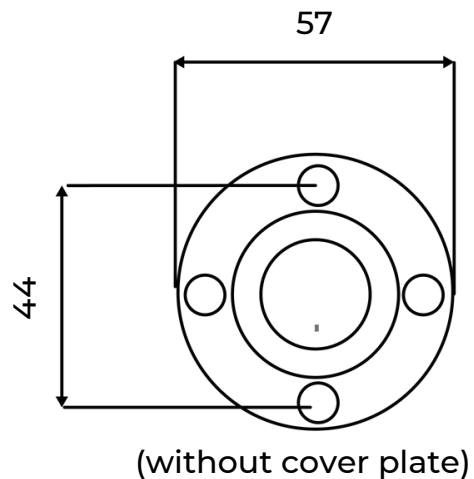
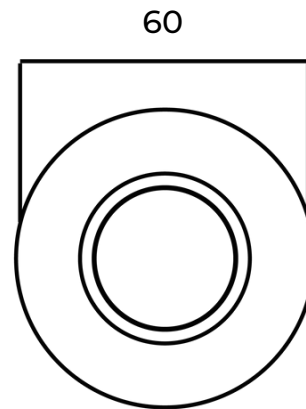
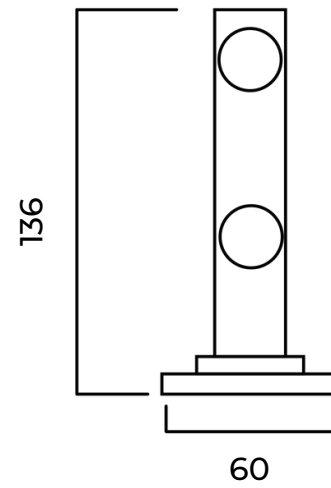


AVAILABLE SIZES

450MM 600MM 750MM 900MM 1000MM

INSTALLATION NOTES:

Remove cover plate by twisting and pulling back. Screws & plugs supplied are for timber or masonry fixing. Use toggle bolts for plaster or cavity walls, (Not provided). There are four fixing points but two should be adequate, we recommend always using top and bottom fixing points.



SPECIFICATIONS

Fully concealed fixings

Secure 4 point fixing system

