

# DOUBLE CENTRE PILLAR

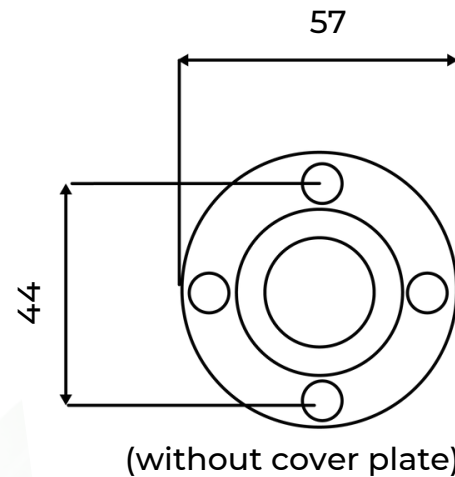
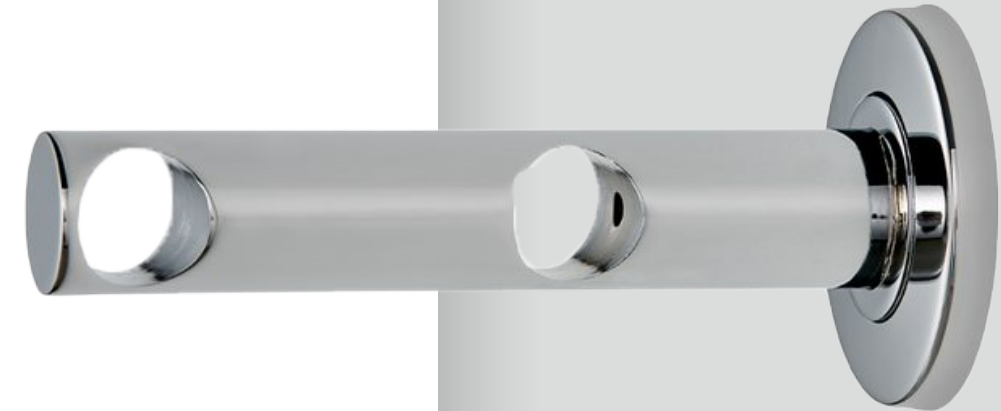
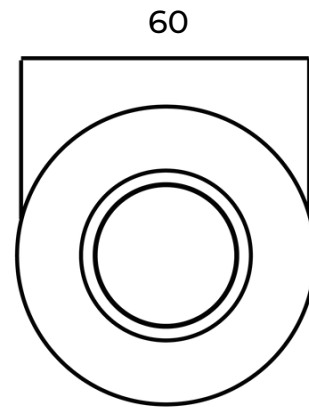
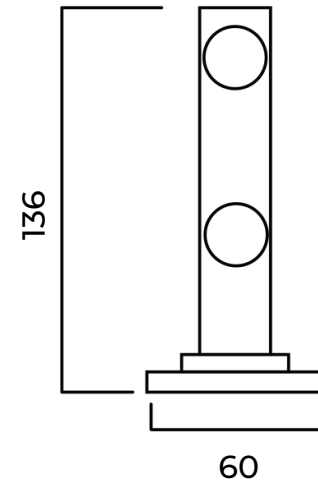


## Available Finishes

Chrome



DCP-C



## SPECIFICATIONS

Fully  
concealed  
fixings

Secure 4  
point fixing  
system



## INSTALLATION NOTES:

Centre Pillars are used as a support when making extended towel rails. We recommend them being used at intervals of 900mm. Remove cover plate by twisting and pulling back. Screw & wall plugs supplied are for timber or masonry fixing. Use toggle bolts for plaster or cavity walls (Not provided). There are four fixing points but two should be adequate, we recommend always using top and bottom fixing points.