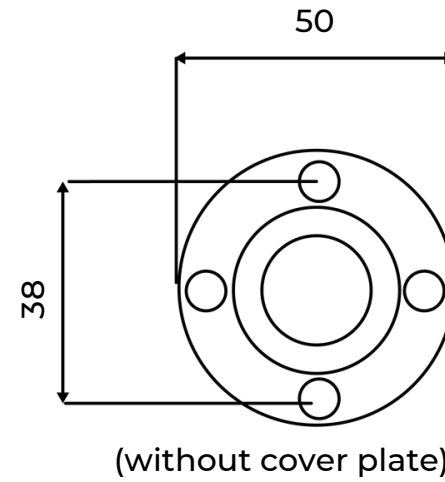
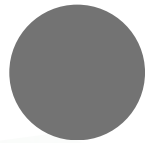


# COAT HOOK



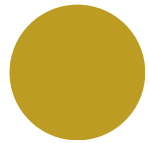
## Available Finishes

Brushed Nickel (PVD)



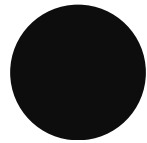
CH-BN

Brushed Gold (PVD)



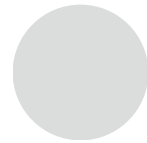
CH-BG

Matte Black

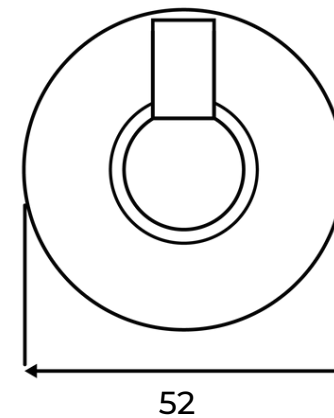
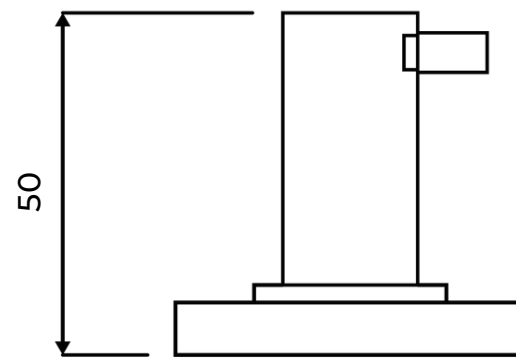


CH-MB

Chrome



CH-C



## SPECIFICATIONS

Fully concealed fixings

Secure 4 point fixing system



## INSTALLATION NOTES:

Remove cover plate by twisting and pulling back. Screws & wall plugs supplied are for timber or masonry fixings. Use toggle bolts for plaster or cavity walls.( Not provided) There are four fixing points but two should be adequate, we recommend always using top and bottom fixing points.