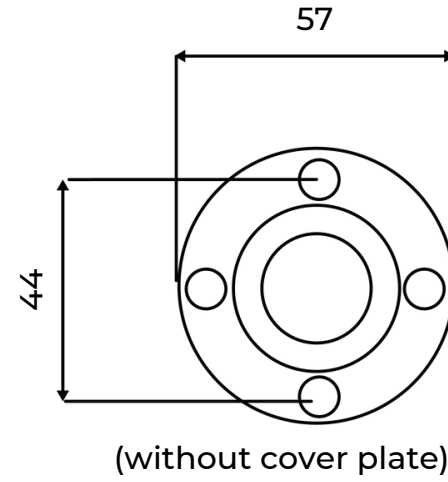


# CENTRE PILLAR

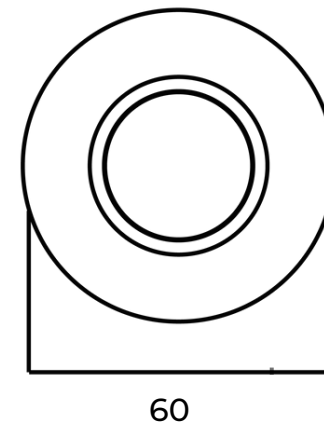
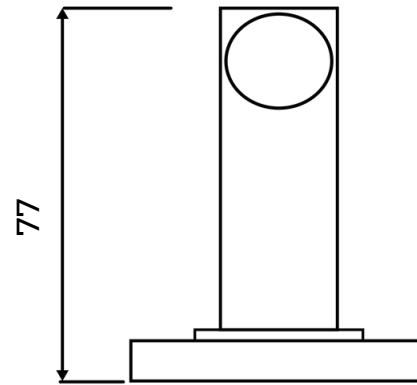


## Available Finish

Chrome



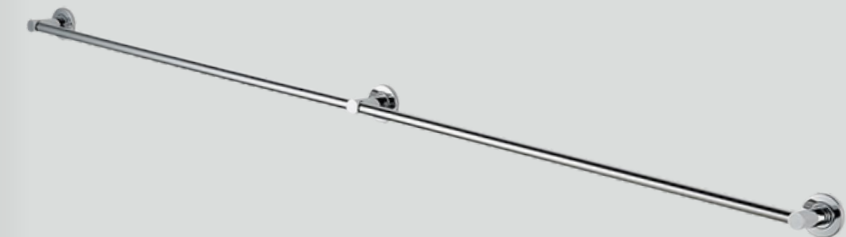
CP-C



## SPECIFICATIONS

Fully concealed fixings

Secure 4 point fixing system



## INSTALLATION NOTES:

Centre Pillars are used as a support when making extended towel rails. we recommend them being used at intervals of 900mm. remove cover plate by twisting and pulling back. screws & wall pugs supplied are for timber or masonry fixings. use toggle bolts for plaster or cavity wall (Not provided). there are four fixing points but two should be adequate, we recommend always using top and bottom fixing points.